

SKYFIRE® SF600

Designed for Aqueous, Solvent and UV
Curable Inks

The FUJIFILM Dimatix SKYFIRE printhead provides the performance, productivity, and durability suitable for a broad range of demanding applications. The FUJIFILM Dimatix SKYFIRE printhead leverages the accuracy and precision of Silicon MEMS (Si-MEMS) processing with the reliability and life of sputtered PZT in a jet design aimed at supporting broad ink compatibility and maximizing productivity. The FUJIFILM Dimatix SKYFIRE printhead boasts features that support ink compatibility, high ink laydown at high speed and compact form-factor. This compact printhead can be integrated into single-pass or scanning solutions targeted at a broad range of applications.

Performance

- 600dpi resolution with drop sizes ranging from 5–25pL meeting application needs for fine details as well as high coverage areas
- Versadrop binary and grayscale jetting with open and editable waveform utility
- REDIJET coatings for optimal and efficient use of aqueous and UV inks
- Compact design with top & tail alignment for minimal distance between printheads in a print-bar

Productivity

- The SKYFIRE 600 enables multi-pulse jetting delivering speeds exceeding 130m/min at 600dpi* and delivering ink lay-down up to 11 grams per square meter
- Enables robust and compact system design for end user up-time and productivity

* 4 level gray scale at 600dpi at >50kHz

Durability

- REDIJET® — Dual recirculation for reliable jetting & Support fast system start-up
- Built-in trimming heater for maintain stable and consistent print conditions
- Reliably use range of pigments or dye inks such as aqueous and UV curable

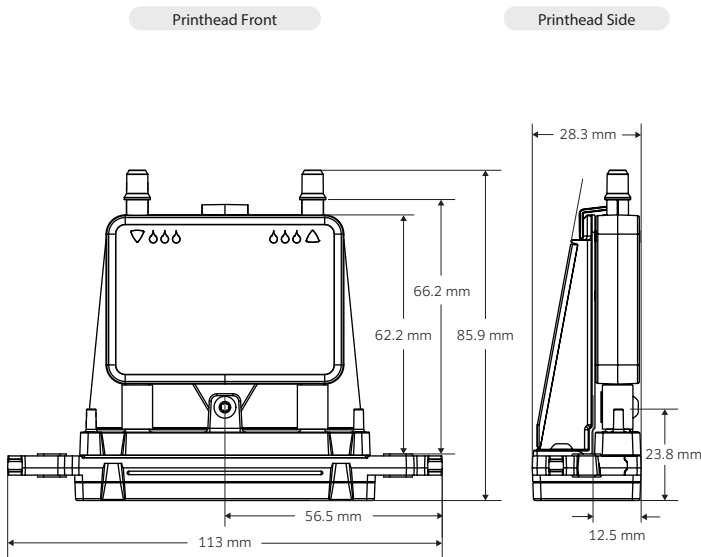
Support

- Backed by exceptional support organization
- Dedicated worldwide field organization to ensure successful product development
- Lab and quality assurance investigative team to ensure satisfaction with FUJIFILM Dimatix products through your product lifecycle

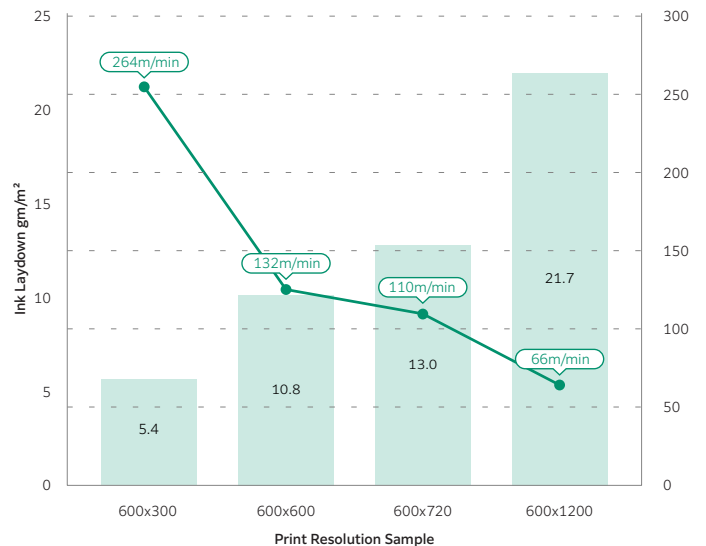
Technical Specifications

SKYFIRE SF600	SF600
Number of Addressable Jets / Module	1536
Print Width (mm/in)	65
Native Resolution (dpi)	600 cross process dpi / Process resolution is available in 60dpi increments
Native Drop Size / Largest Drop Size (pL)	5 / 25
Versadrop Max Productivity (ng-kHz & Fluid Dependent)	900
Firing Frequency (kHz)	4 Gray levels at >50
Nozzle Plate Technology	Silicon MEMs w/protective REDIJET coating
Compatible Fluids	UV-curable, organic solvents, and aqueous inks
Viscosity Range (cP)	4-11 (5-9 for highest productivity)
Temperature Control	Yes
Inkjet Operating Temperature Range (C/F)	Up to 50°C /122°F
Integrated Temperature Sensor	Built-in Heater and Thermistor
OEM Accessible Non-volatile Memory	64-byte rewritable

Physical Characteristics



SKYFIRE SF600 Technology Productivity*



*Fluid Dependent
 **Print direction addressability in multiples of 60dpi Source: FUJIFILM Dimatix SKYFIRE Productivity Moc

Product characteristics and depictions are not drawn to scale and are general illustrations only. Technical specifications above may vary based on usage conditions and overall system environment

For design and engineering work using this SKYFIRE printhead, please contact Dimatix Technical Support for the appropriate Product Manual containing full Product Specifications.

FUJIFILM

Corporate Office:
 FUJIFILM Dimatix, Inc.
 2250 Martin Avenue
 Santa Clara, CA 95050
 USA
 Tel: 1 (408) 565-9150
 info@dimatix.com

New Hampshire Facility:
 FUJIFILM Dimatix, Inc.
 109 Etna Road
 Lebanon, NH 03766
 USA
 Tel: 1 (603) 443-5300
 info@dimatix.com

Inkjet Business Division:
 FUJIFILM Corporation
 7-3, Akasaka 9-chome
 Minato-ku, Tokyo 107-0052
 Japan
 Tel: +81 3 6271 3971
 dgi-ff-ijhead@fujifilm.com

China Office:
 FUJIFILM Dimatix China
 Service Center Building 30,
 1000 Jinhai Road
 Pudong New Area, Shanghai
 China 201206
 china@dimatix.com

Europe Office:
 euro@dimatix.com
 Korea Office:
 mdkorea@dimatix.com
 Singapore Office:
 mdsingapore@dimatix.com
 Taiwan Office:
 mdtaiwan@dimatix.com